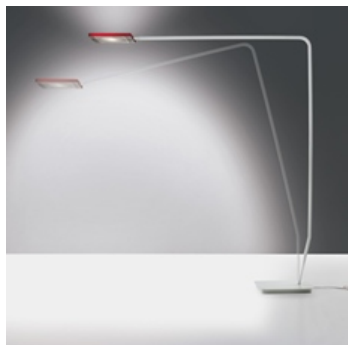


## PRODUCT DATA SHEET

### 90° Office



#### DESIGN BY:

Ernesto Gismondi  
2014

#### MATERIALS:

#### DESCRIPTION:

Floor lamp with a broad extension of the arm. Materials: painted steel base; lamp body in extruded painted aluminium; head in red painted die-cast aluminium. Specification: the lamphead can be rotated of 55° upwards and is equipped with two different lenses for the Home and Office version.

#### SELECT

LED

Red

#### PRODUCT CODE

1930010A

#### Light emission

20

+ -

#### TECHNICAL DATA SHEET

#### FEATURES

Product name: 90° Office  
Article Code: 1930010A  
Colour: Red  
Series: Design

#### DIMENSIONS

Length: cm 203  
Height: cm 190  
Base Width: cm 30

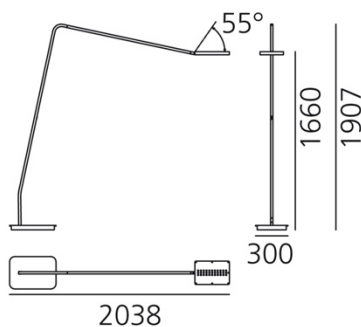
#### LAMPS INCLUDED

Category: LED  
Watt: 17W  
Luminous Flux (lm): 2211lm  
Typology: 0  
Color temperature (K): 3000K  
Class: A

#### LUMINAIR

Watt: 17W  
CCT: 3000K  
Flux: 2000lm

#### DIMENSIONS



#### COLOUR

