

PRODUCT DATA SHEET

Cabildo Wall Halo


DESIGN BY:

Eric Solè
2007

MATERIALS:

Painted die-cast aluminium

DESCRIPTION:

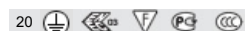
The indirect light shapes the body lamp, bringing out its winding form and giving it the astonishing appearance of a ring of light. Wall support and body lamp in painted die-cast aluminium.

Lamp included.

SELECT

PRODUCT CODE

1190010A

Light emission


Dimmable

TECHNICAL DATA SHEET
FEATURES

Product name:	Cabildo Wall Halo
Article Code:	1190010A
Colour:	White
Material:	Painted die-cast aluminium
Series:	Design
Environment:	Indoor
Area contract:	Private Residence

OPTICS

Emission:	Indirect Diffused
-----------	-------------------

DIMENSIONS

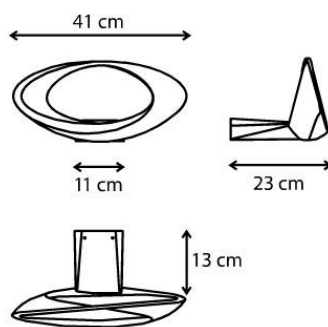
Length:	cm 41
Width:	cm 23
Height:	cm 19
Glow Wire Test:	N/D °

LAMPS INCLUDED

Category:	HALO
Number:	1
Lbs:	Qt-de12
Watt:	230W
Socket:	R7s
Type:	Hdg
Luminous Flux (lm):	2950lm
Colour Rendering:	1a
Colour temperature (K):	3000K
Duration (h):	2000h

LUMINAIR

Watt:	230W
Voltage:	220V-240V

DIMENSIONS

COLOUR
