

PRODUCT DATA SHEET

Castore floor 35


DESIGN BY:

Michele De Lucchi , Huub Ubbens
2003

MATERIALS:

Zamak, thermoplastic resin, blown glass

DESCRIPTION:

The spherical diffuser design is enhanced by a removable-fitting and tapering luminous stem, making a gentle transition from the strong diffuser light to the blind lamp structure area. Base in zamak; stem in thermoplastic resin; blown glass diffuser.

A touch dimmer button on the stem for the storage of the latest light intensity set-up or the use of a local or remote control. Available in two sizes.

SELECT

PRODUCT CODE

1055010A

Light emission


20

Dimmable

TECHNICAL DATA SHEET
FEATURES

Product name: Castore floor 35
Article Code: 1055010A
Colour: White
Material: Zamak, thermoplastic resin, blown glass
Series: Design
Environment: Indoor
Area contract: Hospitality Hotel, Retail, Private Residence


OPTICS

Emission: Diffused

DIMENSIONS

Height: cm 182
Diameter: cm 35
Base Diameter: cm 34
Impact Resistance: N/D
Glow Wire Test: 750 °

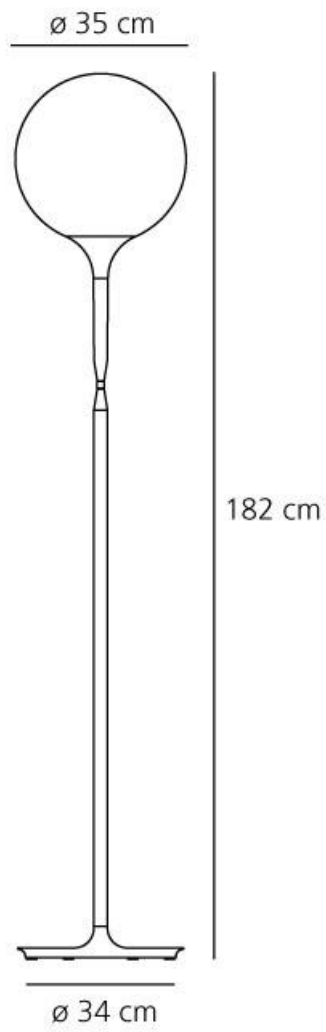
LAMPS NOT INCLUDED

 Category: HALO
Number: 1
Lbs: Qt32
Watt: 150W
Socket: E27
Type: Hsgsbt/c
Luminous Flux (lm): 2870lm
Colour Rendering: 1a
Colour temperature (K): 2900K
Duration (h): 2000h

LUMINAIR

Watt: 150W
Voltage: 220V-240V
CCT : 2900K
Flux : 2870lm

DIMENSIONS



COLOUR



AWARDS



_2004 Design Plus, light + building Frankfurt am Main (Deutschland)
_2004 Reddot Design Award Essen (Deutschland)_2004 Compasso
d'Oro / A.D.I. Segnalazione – Milano (Italia)